

iT Series
New LED Area Light



Overview



- √ Specilized designed for outdoor parking lot and wide area;
- √ Super silm design;
- √ System luminous efficacy >130lm/w, lifespan >50,000 hours
- √ Multiple brackets optional;
- √ Fishbone style high efficiency heat sink.



black / brown color housings optional



Fishbone Style Heat Sink



Extra Photocell Sensor Available

Philips Lumileds
Luxeon 3030 Chip



4 brackets optional

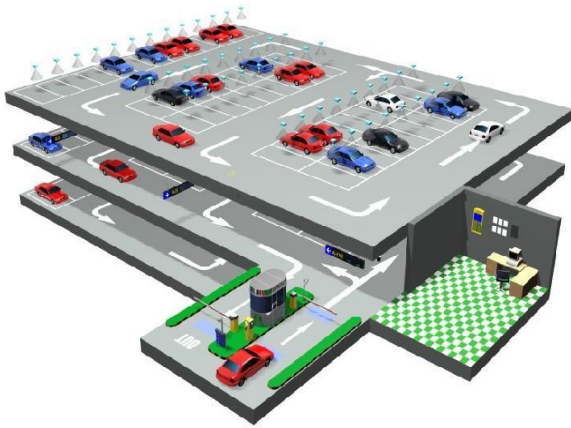
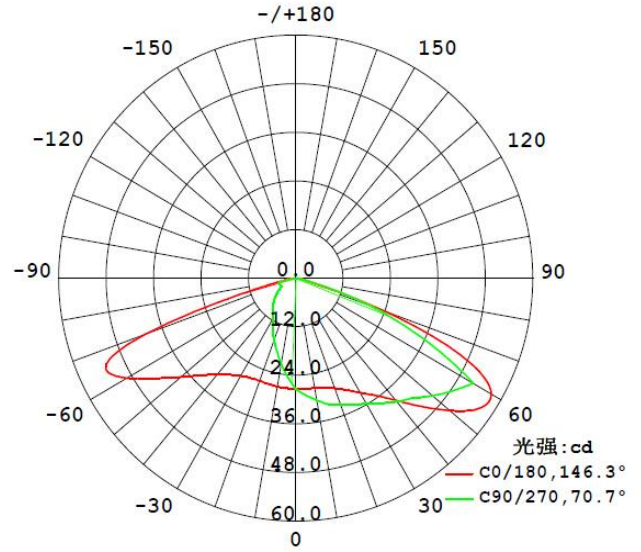
MeanWell HLG Series Driver

The new iT series LED parking lot & area light is the fantastic result of R&D in 2015. This light is a perfect solution for outdoor parking lot and area lighting. Considering the preference of the installation styles in different countries in Europe, North American, and Australia, the iT series come with 4 main variants: style A-D, to mostly suit the local demand and easier for our customer in making project.

The body of the iT series is just so slim. But behind it is the superb system efficacy, heat radiation ability, and though endurance for brutal working environment.

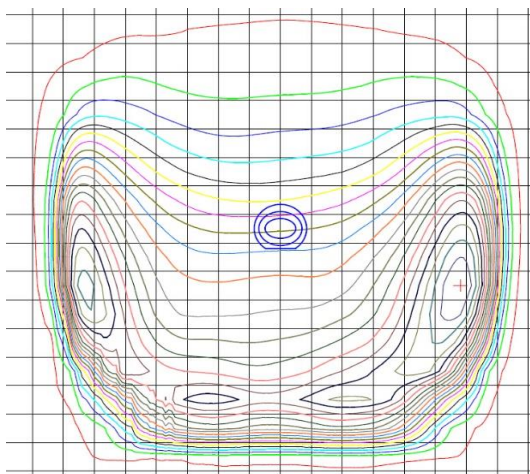
The new iT series is from 75W to 265W, can replace up to 1000W traditional luminaire.

Type IV Light Distribution



New iT series parking lot light is using Type IV 75* 130° beam angle as its main option . This lens is perfectly suitable for outdoor parking lot lighting and outdoor area lighting.

Parking lot lighting is different from the street lighting. Now the Type IV distribution is widely recognized as the standard option for parking lot. The light is evenly covered on the ground and just covered the area we want to illuminate.



75WiT

LED Parking Lot & Area Light, 150-250W HPS/MH Replacement



black / brown color housings optional
1-10V / PWM / Resistance dimming optional

Photocell

Specifications

Electrical Specifications

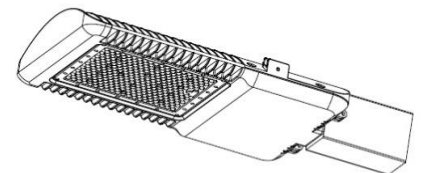
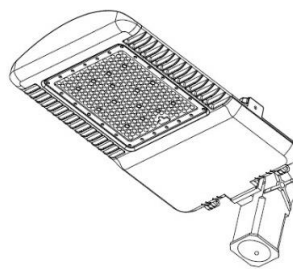
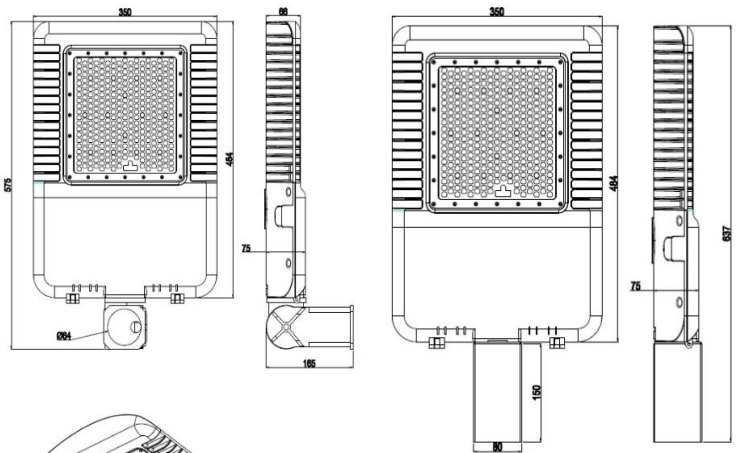
Model No.	75WiT
Nominal Wattage	75W
Nominal Voltage	90-305VAC, 50/60Hz 277-480VAC, 50/60Hz
Maximum Current	AC 0.85A (max)
Power Factor (PF)	>0.95
Driver Efficiency	>92%

Photometric Specifications

Luminous Flux	+Lumen tolerance +/- 5% 9,750lm
CRI	Ra>78
CCT	2700-6500K
Optional Beam Angle	Type IV: 75°*130°

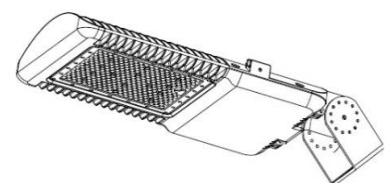
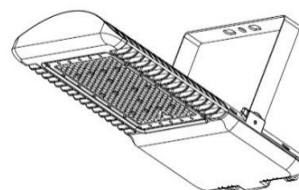
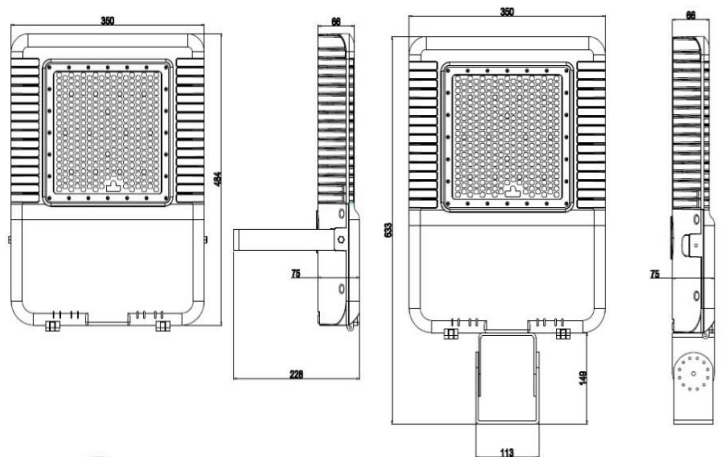
Mechanical Specifications

IP&IK Rating	IP66 & IK10
Lifetime	50000 hours - L70, @25°C
Heat Radiator	Anodized Aluminum
Lens	PC
Fixture Dimension	637*350*75mm 25.1*13.8*3 inches
Net Weight	8.8kg
Carton Dimension	730*370*190mm
Gross Weight	10kg



Installation Style A

Installation Style B



Installation Style C

Installation Style D

110WiT

LED Parking Lot & Area Light, 250-300W HPS/MH Replacement



black / brown color housings optional
1-10V / PWM / Resistance dimming optional



Photocell

Specifications

Electrical Specifications

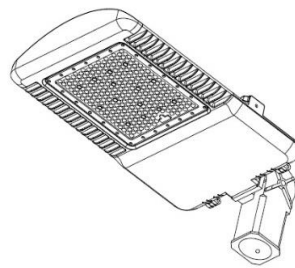
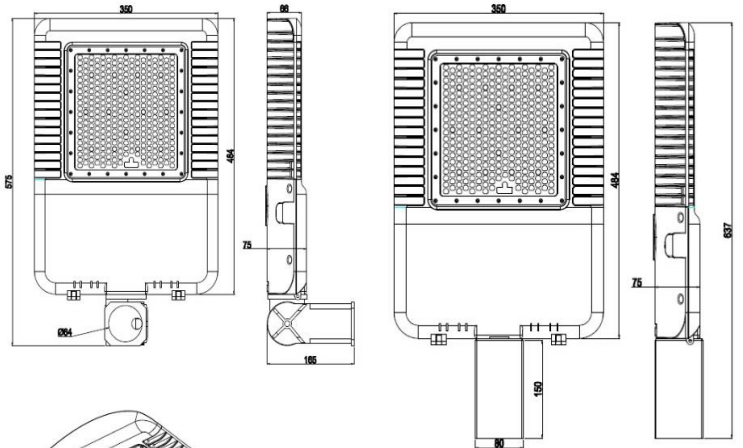
Model No.	110WiT
Nominal Wattage	110W
Nominal Voltage	90-305VAC, 50/60Hz 277-480VAC, 50/60Hz
Maximum Current	AC 1.25A (max)
Power Factor (PF)	>0.95
Driver Efficiency	>93%

Photometric Specifications

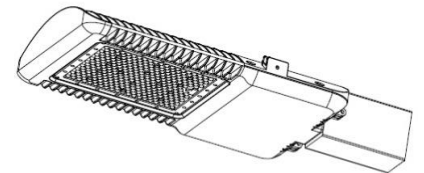
Luminous Flux	+Lumen tolerance +/- 5% 14,300lm
CRI	Ra>78
CCT	2700-6500K
Optional Beam Angle	Type IV: 75°*130°

Mechanical Specifications

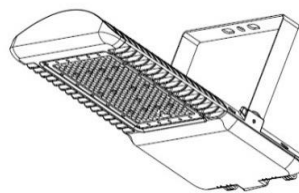
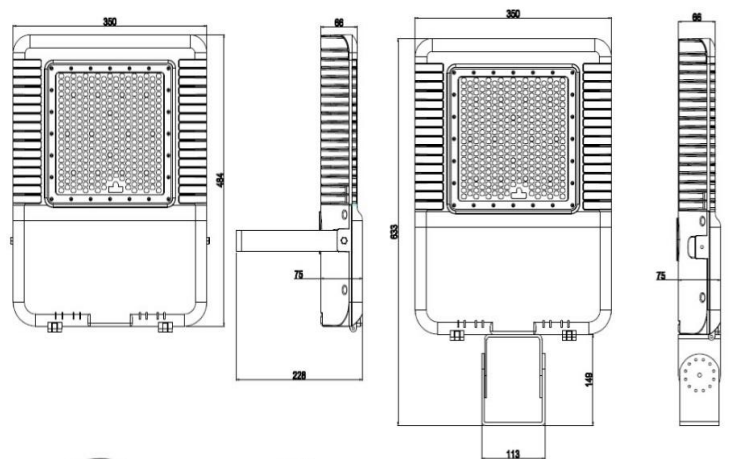
IP&IK Rating	IP66 & IK10
Lifetime	50000 hours - L70, @25°C
Heat Radiator	Anodized Aluminum
Lens	PC
Fixture Dimension	637*350*75mm 25.1*13.8*3 inches
Net Weight	9kg
Carton Dimension	730*370*190mm
Gross Weight	10.2kg



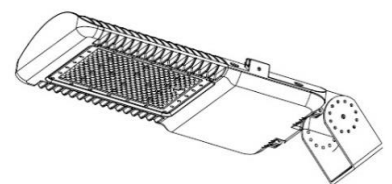
Installation Style A



Installation Style B



Installation Style C



Installation Style D

150WiT

LED Parking Lot & Area Light, 350-400W HPS/MH Replacement



New



Photocell

black / brown color housings optional
1-10V / PWM / Resistance dimming optional

Specifications

Electrical Specifications

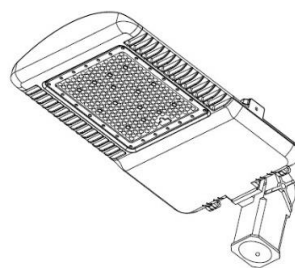
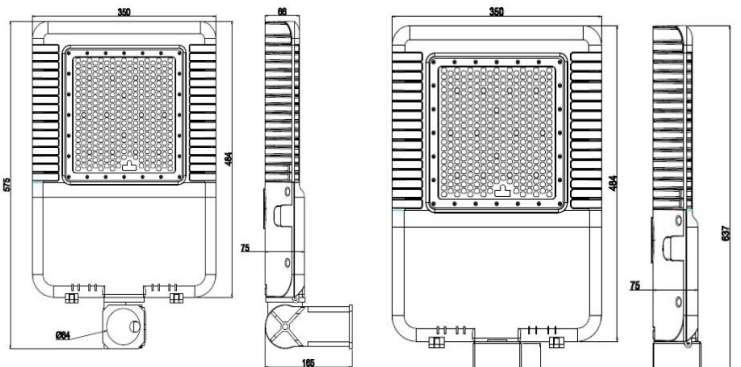
Model No.	150WiT
Nominal Wattage	150W
Nominal Voltage	90-305VAC, 50/60Hz 277-480VAC, 50/60Hz
Maximum Current	AC 1.67A (max)
Power Factor (PF)	>0.95
Driver Efficiency	>94%

Photometric Specifications

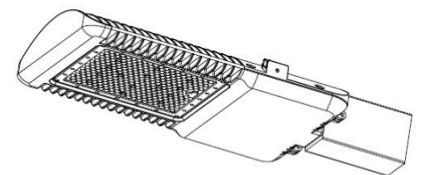
Luminous Flux	+Lumen tolerance +/- 5% 19,500lm
CRI	Ra>78
CCT	2700-6500K
Optional Beam Angle	Type IV: 75°*130°

Mechanical Specifications

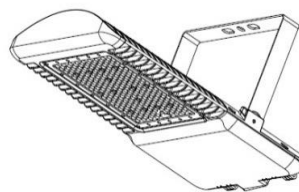
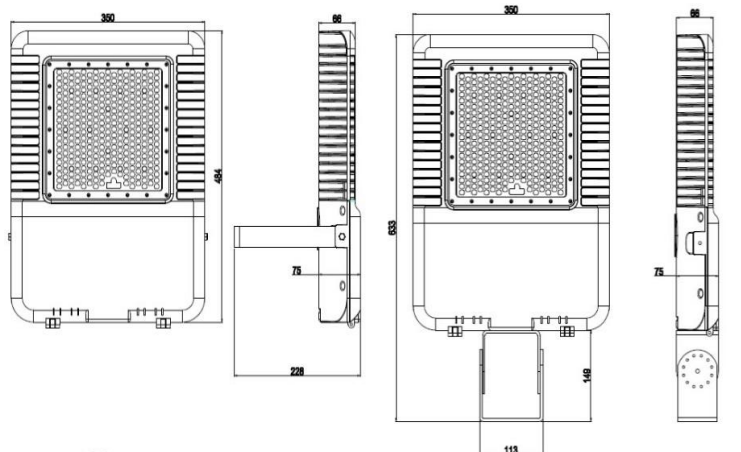
IP&IK Rating	IP66 & IK10
Lifetime	50000 hours - L70, @25°C
Heat Radiator	Anodized Aluminum
Lens	PC
Fixture Dimension	637*350*75mm 25.1*13.8*3 inches
Net Weight	8.4kg
Carton Dimension	750*440*180mm
Gross Weight	9.75kg



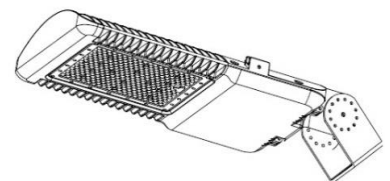
Installation Style A



Installation Style B



Installation Style C



Installation Style D

180WiT

LED Parking Lot & Area Light, 400-500W HPS/MH Replacement



black / brown color housings optional
1-10V / PWM / Resistance dimming optional



Specifications

Electrical Specifications

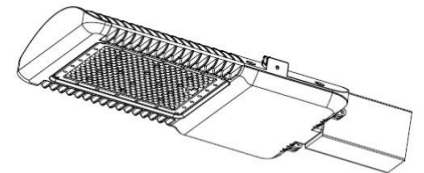
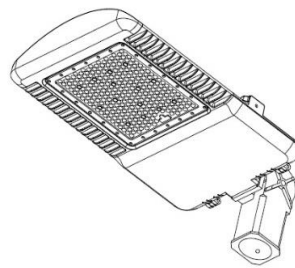
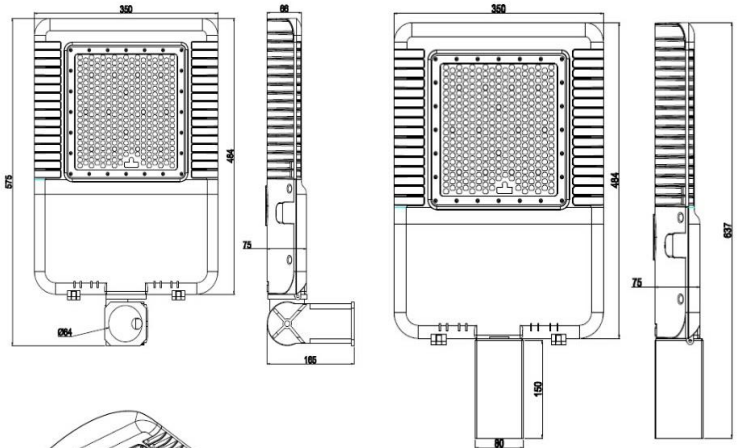
Model No.	180WiT
Nominal Wattage	180W
Nominal Voltage	90-305VAC, 50/60Hz 277-480VAC, 50/60Hz
Maximum Current	AC 2.0A (max)
Power Factor (PF)	>0.95
Driver Efficiency	>94%

Photometric Specifications

Luminous Flux	+Lumen tolerance +/- 5% 22,500lm
CRI	Ra>78
CCT	2700-6500K
Optional Beam Angle	Type IV: 75°*130°

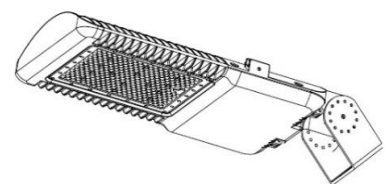
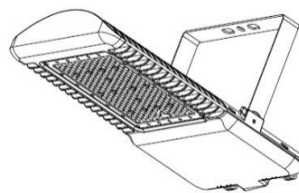
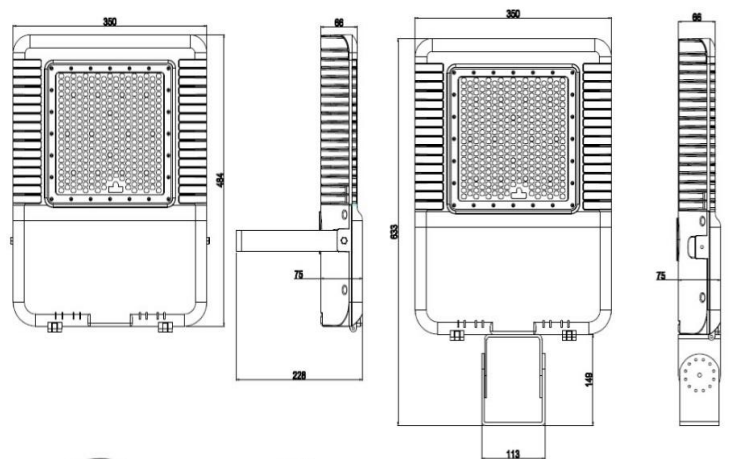
Mechanical Specifications

IP&IK Rating	IP66 & IK10
Lifetime	50000 hours - L70, @25°C
Heat Radiator	Anodized Aluminum
Lens	PC
Fixture Dimension	637*350*75mm 25.1*13.8*3 inches
Net Weight	8.4kg
Carton Dimension	750*440*180mm
Gross Weight	9.75kg



Installation Style A

Installation Style B



Installation Style C

Installation Style D

225WiT

LED Parking Lot & Area Light, 480-720W HPS/MH Replacement



black / brown color housings optional
1-10V / PWM / Resistance dimming optional



Specifications

Electrical Specifications

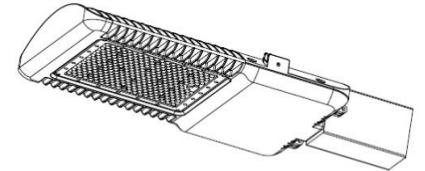
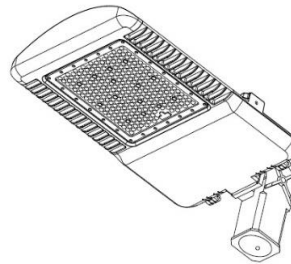
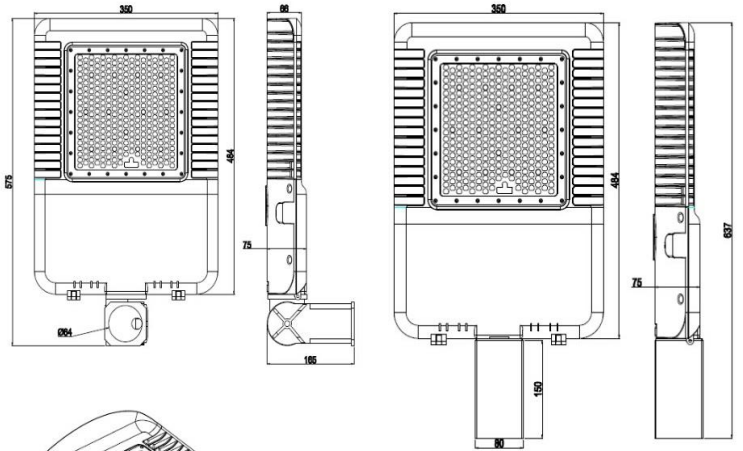
Model No.	225WiT
Nominal Wattage	225W
Nominal Voltage	90-305VAC, 50/60Hz 277-480VAC, 50/60Hz
Maximum Current	AC 2.5A (max)
Power Factor (PF)	>0.95
Driver Efficiency	>95%

Photometric Specifications

Luminous Flux	+Lumen tolerance +/- 5% 28,125lm
CRI	Ra>78
CCT	2700-6500K
Optional Beam Angle	Type IV: 75°*130°

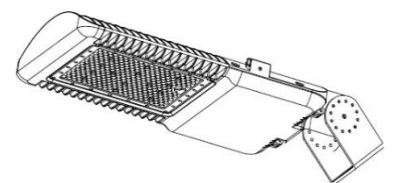
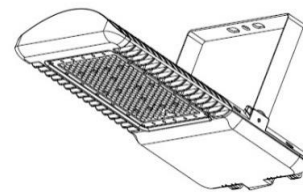
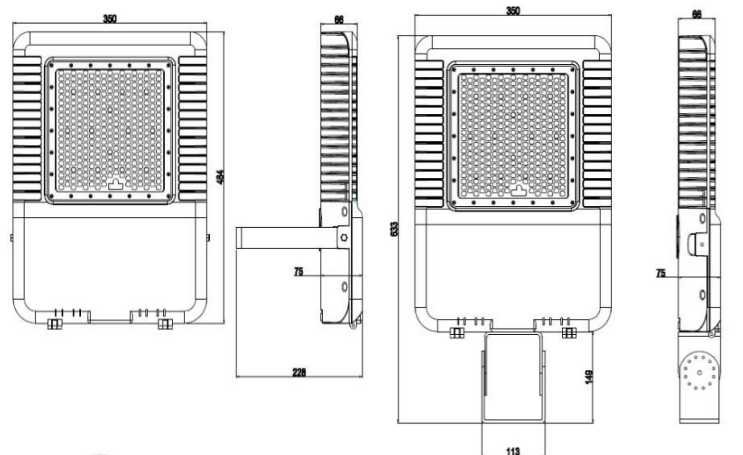
Mechanical Specifications

IP&IK Rating	IP66 & IK10
Lifetime	50000 hours - L70, @25°C
Heat Radiator	Anodized Aluminum
Lens	PC
Fixture Dimension	637*350*75mm 25.1*13.8*3 inches
Net Weight	9.35kg
Carton Dimension	750*440*180mm
Gross Weight	10.8kg



Installation Style A

Installation Style B



Installation Style C

Installation Style D

265WiT

LED Parking Lot & Area Light, 1000W HPS/MH Replacement



black / brown color housings optional
1-10V / PWM / Resistance dimming optional



Specifications

Electrical Specifications

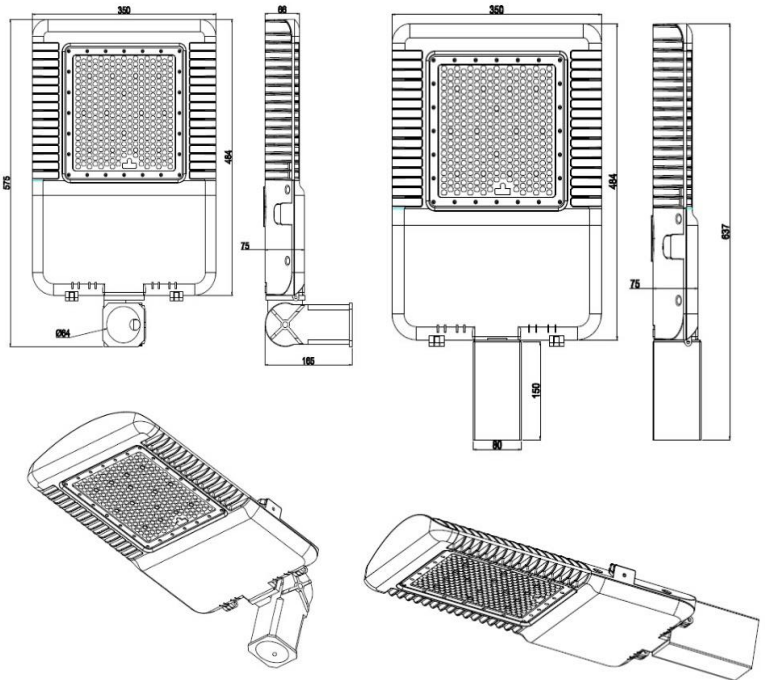
Model No.	265WiT
Nominal Wattage	265W
Nominal Voltage	90-305VAC, 50/60Hz 277-480VAC, 50/60Hz
Maximum Current	AC 2.95A (max)
Power Factor (PF)	>0.95
Driver Efficiency	>95%

Photometric Specifications

Luminous Flux	+Lumen tolerance +/- 5% 33,125lm
CRI	Ra>78
CCT	2700-6500K
Optional Beam Angle	Type IV: 75°*130°

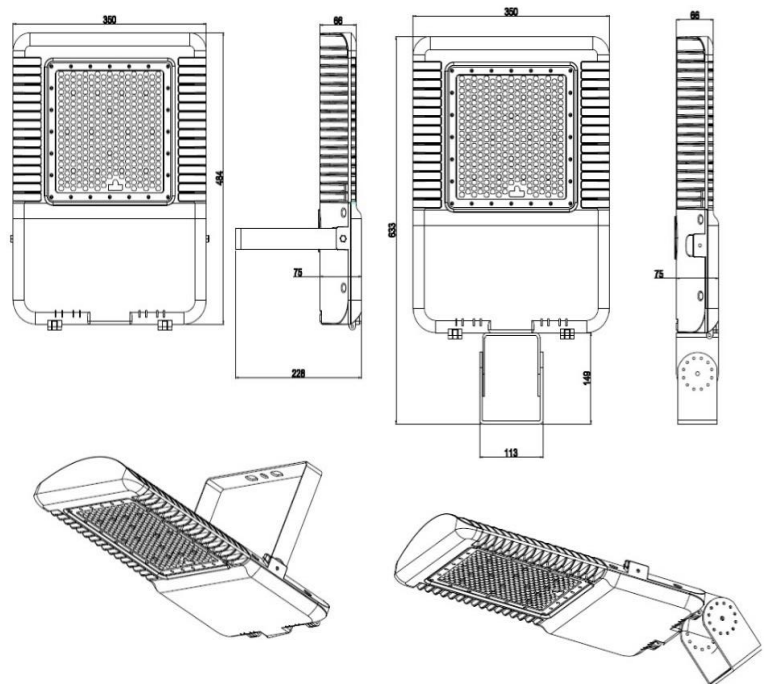
Mechanical Specifications

IP&IK Rating	IP66 & IK10
Lifetime	50000 hours - L70, @25°C
Heat Radiator	Anodized Aluminum
Lens	PC
Fixture Dimension	637*350*75mm 25.1*13.8*3 inches
Net Weight	9.35kg
Carton Dimension	750*440*180mm
Gross Weight	10.8kg



Installation Style A

Installation Style B



Installation Style C

Installation Style D